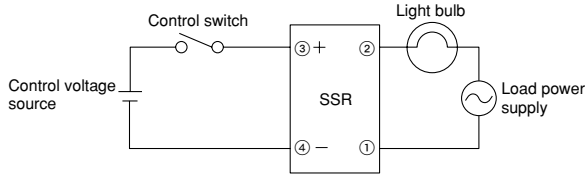


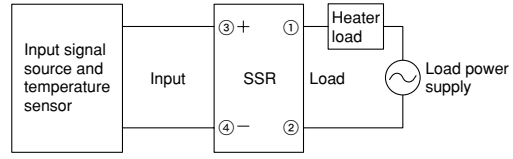
SSR Application Examples

Typical Applications

1. Light Bulb

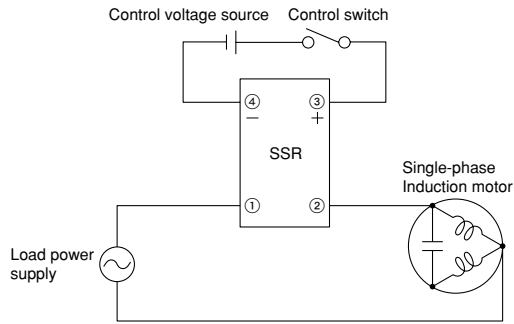


2. Electric Furnace Temperature Control

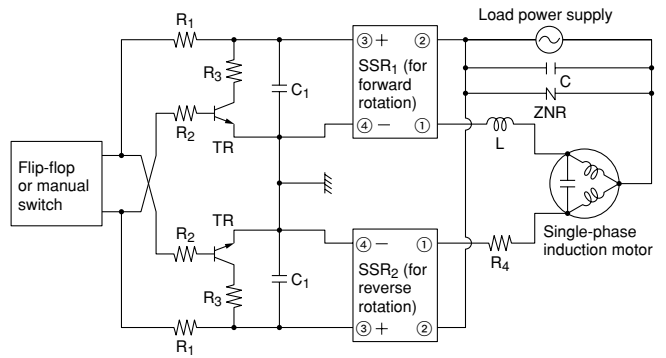


* KT Temperature Controller is available.

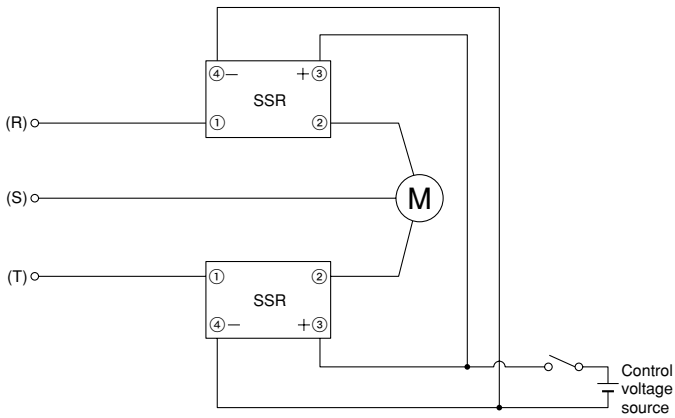
3. Single-Phase Induction Motor Control



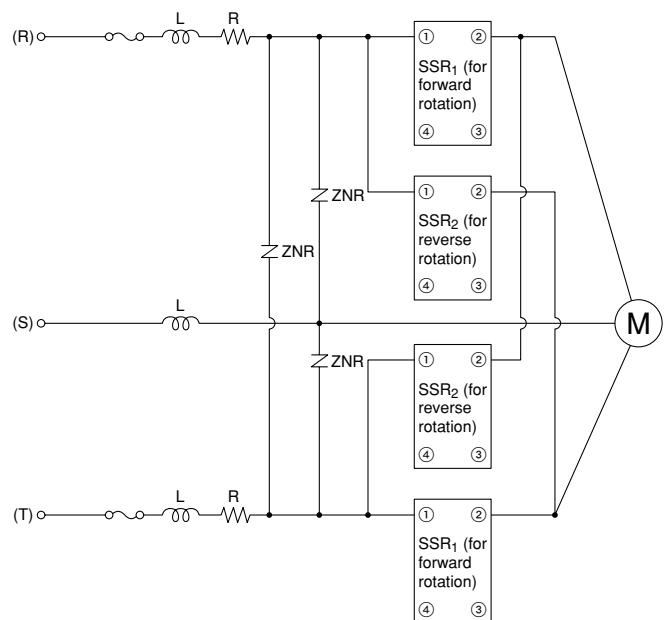
4. Reversible Control for a Single-Phase Induction Motor



5. Three-Phase Induction Motor Control



6. Reversible Control for a 3-Phase Induction Motor



Note: Take special care in the design to ensure that both the forward and reverse SSRs do not turn on at the same time.