

# 5EU Multi-Voltage DCP

## Electronic Metal Halide Ballast for 100 Watt Lamps

**DRIVING** the Future of Luminaires!

### 5EU "Resonance Start" Technology

- Superior **HOT Re-Strike** performance with programmed lamp cooling off periods
- Increased remote mounting distance from ballast to lamp
- Enhanced start ability for broadened quartz lamp compatibility

### Features & Benefits:

- One ballast for all voltages from 120V through 277V
- Excellent line regulation;  $\pm 0.5\%$  output variation with  $\pm 10\%$  change in line voltage.
- Reduction in visual flicker & increased lamp life.
- Increased reliability and safety with lamp "Turn-off Function": (Resets by cycling line voltage "off-then-on")
- Ease of assembly; only one unit to mount.
- Light weight (1.3 lbs.)
- Energy Savings: Up to 14% vs. magnetic.
- Eliminates long term lamp cycling. No need to wait for lamps to cycle to identify replacement.
- Sound Rated "A" for indoor applications.
- Thermally protected/ Transient protected.

### Lamp Maintenance Notice:

- To start new lamps or replaced lamps, turn off the ballast input voltage for 10 seconds then back on.
- If lamp or wiring is defective the ballast will "shut down" in 1.5 to 30 minutes depending on the fault condition.



Shown with side leads (bottom leads also available)

### Specifications:

Lamps <sup>1</sup>	100W Metal Halide M164, M140, M90 Ceramic or Approved Quartz Lamp
Input Voltage	Universal 120-277V 50/60 hertz
Power Factor	High
Input Power	110W
Input Current (Maximum)	120V: 0.94A / 277V: 0.42A
Harmonic Distortion	<15%
Lamp Frequency	170 Hertz Square-Wave
EMI/ RFI	Complies with FCC 18C, non consumer limits
Lamp Current Crest Factor	1.2 Typical
Safety	UL Outdoor Type 1, Suitable for Recessed Use
Thermal Protection	Functions at approximately 100°C hot spot
Warranty <sup>2</sup>	5 years-max. case temperature <75°C; 3 years-max. case temperature <80°C
Minimum Ballast Temp.	-15° C/ +5° F
Maximum Mounting Distance	See Remote Wiring Section on Page 2

**Note 1:** Consult lamp manufacturers for lamp compatibility approval.

**Note 2:** Warranty is based on maximum operating time of 4000 hours per year. For additional operating hours consult with Aromat Application Engineering.

### Product Summary

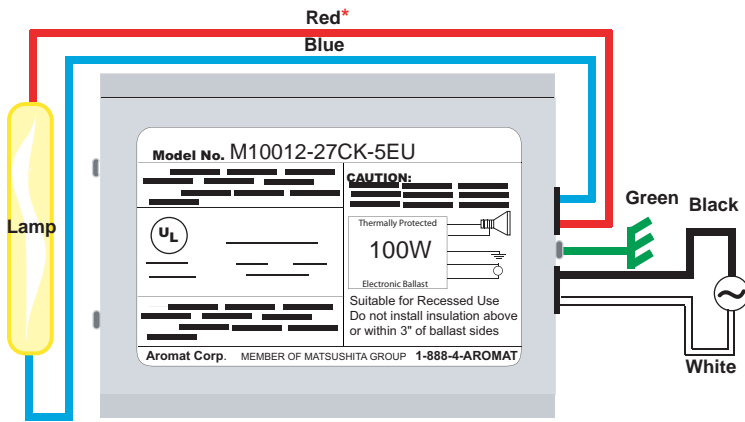
LAMP	100W Metal Halide M164, M140, M90 Ceramic or Approved Quartz Lamp		
Input Volts	120V-277V 50/60Hz		
Model Number	M10012-27CK-5EU	M10012-27CK-5EU-F	M10012-27CK-5EU-J
Mounting/ Lead Exit	No Feet with Side Leads Exit	Feet with Side Leads Exit	Studs with Bottom Lead Exits
Safety	Recognized Component: 	Listed: 	Listed: 
Lamp Holder	Minimum 4KV Pulse Rated		

Aromat reserves the right to change any of the above performance characteristics without notice.

For More information, call: 1-888-4-AROMAT  
Visit our Web Site: [www.aromat.com](http://www.aromat.com)

**Aromat Corporation**  
(Matsushita Electric Works, America)

## Wiring Diagram:

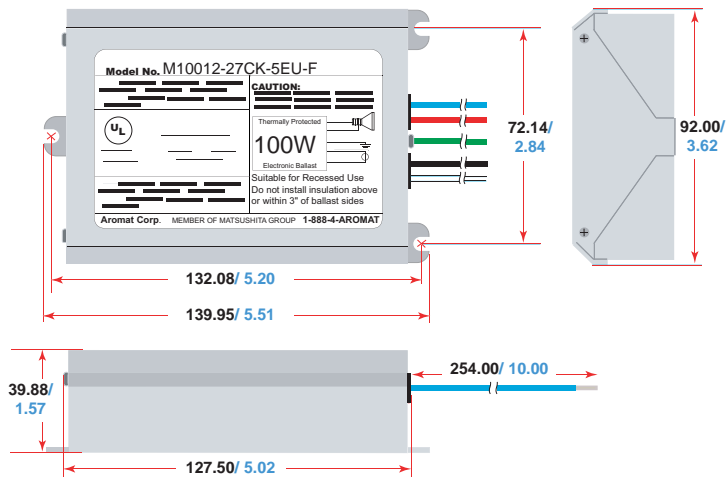


## Safety Instructions:

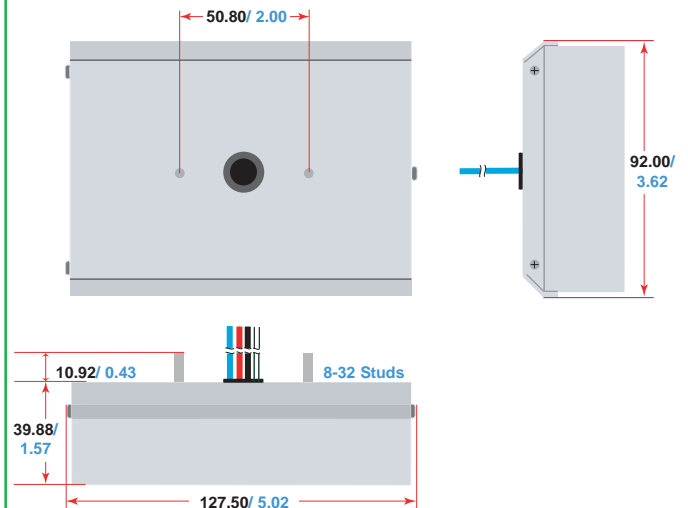
- Always disconnect power to the entire fixture before installation and/or removal of ballasts or controls.
- Ballast case must be grounded.
- Install per national and local electrical codes.
- Dispose of any replaced ballasts and lamps properly.
- **DO NOT** connect lamp leads to ground or neutral.

## Dimensions: - Millimeters / Inches

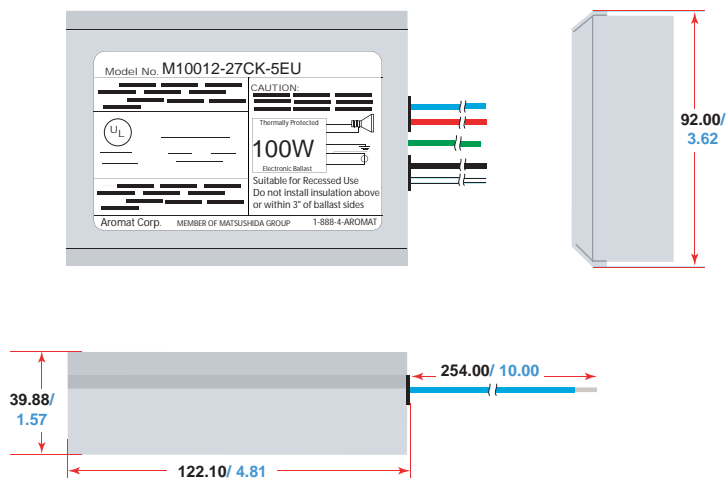
### M10012-27CK-5EU-F



### M10012-27CK-5EU-J



### M10012-27CK-5EU



## NOTES

- For additional installation and operational information, please refer to: *Aromat Application Guidelines*.
- Dimensional Tolerances:**
  - Case:  $\pm 1.0\text{mm} / \pm 0.039"$
  - Lead Wires:  $+50\text{mm} / +2"$   
 $-30\text{mm} / -1"$
  - Lead Length: Nominal 10": "EU & F" Models  
Nominal 7": "J" Model
  - Slot width on "F" mounting tabs:  $5.0\text{mm} / 0.20"$
- Remote Wiring Guidelines:**
  - Each lamp's lead wires must be run in a separate conduit from the input power leads to achieve good EMI performance and maximum remote capabilities.
  - Individual lamp lead wires must be used for external fixture extensions using wire types SF-2 (Equivalent to SEW-2 or 3071) or SFF-2 (Equivalent to SEWF-2 or 3070) or alternately, if approved by Aromat, high voltage fixture wire with a 18 AWG conductor and a 1000VAC minimum voltage rating. Temperature rating is especially critical if the lamp lead extension wires are directly connected to lamp-holder terminals.
  - Maximum Remote Distances:  
15 feet in a minimum  $\frac{1}{2}$ " internal diameter conduit, pipe or flexible conduit  
For longer remote mounting distances, consult with Aromat.
  - Using Service Power cords (types SJ, SV, SO, etc.) or metal clad cable assemblies for lamp lead extension wire are not recommended as they are **NOT** compatible with the above characteristics, can cause starting problems and shall not be used unless Aromat gives written approval.