

## Electronic Metal Halide Ballast for 20 Watt Lamps

*DRIVING the Future of Luminaires!*

**NAIS DCP™ (Dual Constant Power)  
Electronic Metal Halide Ballast for one  
20W M156 Metal Halide Lamp**



Shown with side leads (bottom leads also available)

### Features & Benefits:

- One ballast for all voltages from 120V through 277V
- Excellent line regulation;  $\pm 0.5\%$  output variation with  $\pm 10\%$  change in line voltage.
- Reduction in visual flicker & increased lamp life.
- **Increased reliability and safety with lamp "Turn-off Function": (Resets by cycling line voltage "off-then-on")**
- Ease of assembly; only one unit to mount.
- Light weight (1.4 lbs.)
- Energy Savings: Up to 80% vs. halogen lamps.
- Eliminates long term lamp cycling. No need to wait for lamps to cycle to identify replacement.
- Sound Rated "A" for indoor applications.
- Thermally protected/ Transient protected.

### Specifications:

<b>Lamps<sup>1</sup></b>	20W Metal Halide M156 Ceramic
<b>Input Voltage</b>	Universal 120-277V 50/60 hertz
<b>Power Factor</b>	High
<b>Input Power</b>	24W
<b>Input Current (Maximum)</b>	120V: 0.21A / 277V: 0.10A
<b>Harmonic Distortion</b>	<15%
<b>Lamp Frequency</b>	170 Hertz Square-Wave
<b>EMI/ RFI</b>	Complies with FCC 18C, non consumer limits
<b>Lamp Current Crest Factor</b>	1.2 Typical
<b>Safety</b>	UL Outdoor Type 1, Suitable for Recessed Use
<b>Thermal Protection</b>	Functions at approximately 90°C hot spot
<b>Warranty<sup>2</sup></b>	5 years-max. case temperature <75°C; 3 years-max. case temperature <80°C
<b>Minimum Lamp Start Temp</b>	-30° C/ -22° F
<b>Minimum Ballast Temp.</b>	-15° C/ -5° F
<b>Maximum Mounting Distance</b>	15 feet (Consult Aromat's Tech Center for distances greater than 15 feet)

**Note 1:** Consult lamp manufacturers for lamp compatibility approval.

**Note 2:** Warranty is based on maximum operating time of 4000 hours per year. For additional operating hours consult with Aromat Application Engineering.

### Product Summary

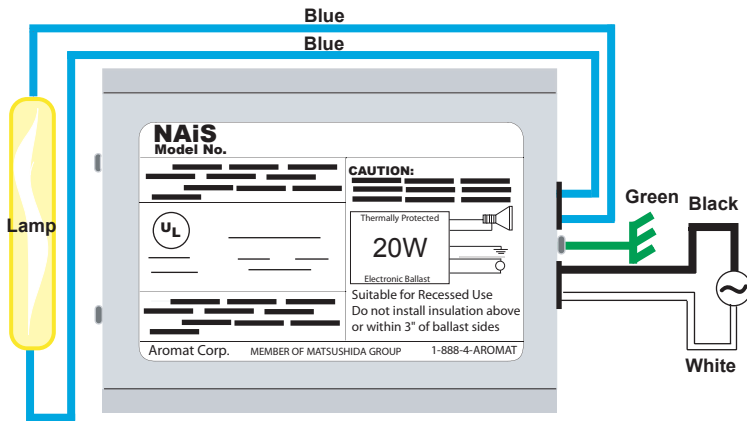
LAMP	20W Metal Halide M156 Ceramic	
Input Volts	120V-277V 50/60Hz	
Model Number	M2012-27CK-3EU-F	M2012-27CK-3EU-J
Mounting/ Lead Exit	Feet with Side Leads Exit	Studs with Bottom Lead Exits
Safety	Listed; cUL <sub>us</sub>	Listed; cUL <sub>us</sub>
Lamp Holder	Minimum 4KV Pulse Rated	

Aromat reserves the right to change any of the above performance characteristics without notice.

For More Information, call: **1-888-4-AROMAT**  
Visit our Web Site: **www.aromat.com**

**Aromat Corporation**  
(Matsushita Electric Works, America)  
**NAIS** A Worldwide Brand

## Wiring Diagram:

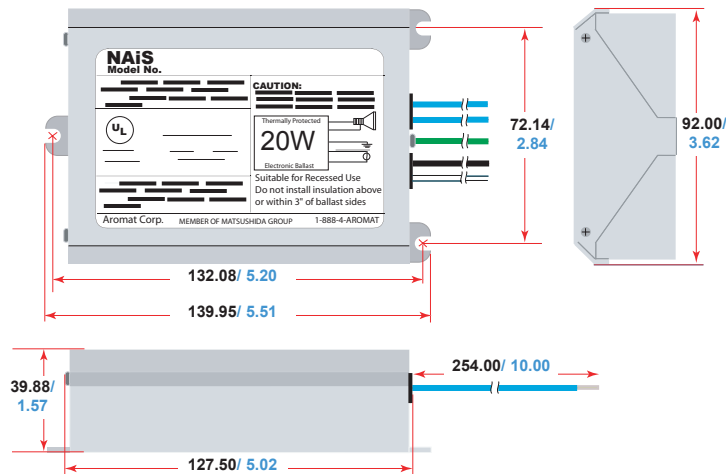


## Safety Instructions:

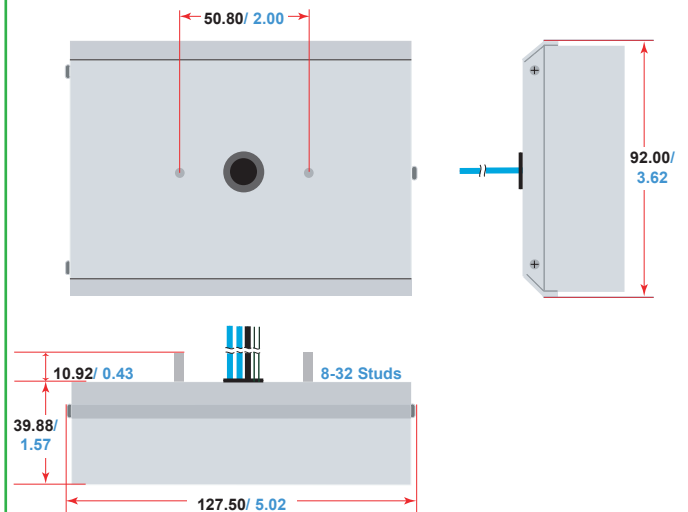
- Always disconnect power to the entire fixture before installation and/or removal of ballasts or controls.
- Ballast case must be grounded.
- Install per national and local electrical codes.
- Dispose of any replaced ballasts and lamps properly.
- **DO NOT** connect lamp leads to ground or neutral.

## Dimensions: Millimeters / Inches

### M2012-27CK-3EU-F



### M2012-27CK-3EU-J



## NOTES

1. For additional installation and operational information, please refer to: *Aromat Application Guidelines*.

### 2. Dimensional Tolerances:

- **Case:**  $\pm 0.3\text{mm} / \pm 0.012''$
- **Lead Wires:**  $+50\text{mm} / +2''$   
 $-30\text{mm} / -1''$
- **Lead Length:** Nominal 10"
- **Slot width on "F" mounting tabs:**  $5.0\text{mm} / 0.20''$