

# Rotary Lock Lamp Holder Specification Sheet

## Benefits:

- Lamp base rotates and locks into lampholder
- Four Different Models:
  - **Model NZ0509U** for 16 and 18 watt lamps with Gx24q-2 and G24q-2 bases.
  - **Model NZ0510U** for 24, 26 and 32 watt lamps with Gx24q-3 and for G24q-3 bases.
  - **Model NZ0511U** for 42 watt lamps with Gx24q-4 bases.
  - **Model NZ0514U** for 24, 26, 32 & 42 watt lamps with G24q-3, Gx24q-3, and Gx24q-4 bases.
- Must be used with “constant-current” multi-wattage ballasts.
- Provides the manufacturer the opportunity to design smaller, more compact luminaires.
- The only vibration and earthquake resistant lampholders in the market.
- Locks “IN” and creates an extraordinary contact between lamp pins and lampholders.
- Allows luminaire manufacturers to ship the lamps installed with no fear of breakage.
- Eliminates the need for horizontal downlights with openings opposite the lamp.
- No fear of lamps falling out in vertical applications.
- Nullifies the difficulty and reduces lamp breakage when relamping horizontal downlights where there is limited space at the top of the luminaire.
- Minimizes the mechanical stress on the luminaire by eliminating the need to push and pull when changing the lamps.
- UL/cJUL Listed.

**NEW!**



## Specification Details:

Use	Indoor/Outdoor
Rating	75W, 600V
Lead Wire	No. 18 AWG, Solder-dipped-stranded or Solid Copper Wire, Length of Wire Strip 9.5mm
Mounting Direction	All Directions
Mounting Screw	M3
Contact	Quick-connect Screwless Terminals
Rated for Continuous Operation	Max 120 Degrees C

## Material Information:

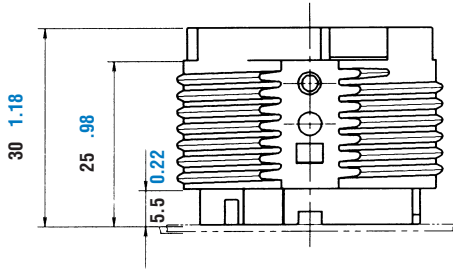
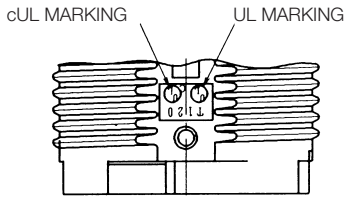
Retentive Spring	Stainless Steel (t0.4)
Terminal Plate	Copper Alloy (t0.25)
Cover	PBT White
Body	PBT White

## Packing Information:

Master Carton	500 pieces
---------------	------------

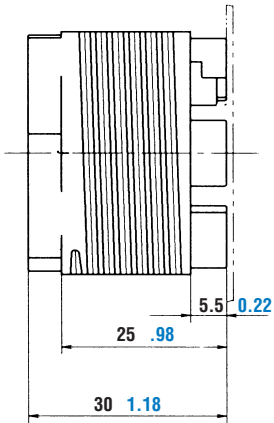
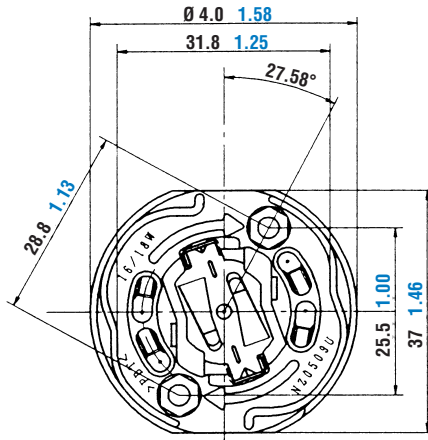
**The Source...**

*for Lighting Components and Product Design Expertise for the Luminaire Manufacturer*



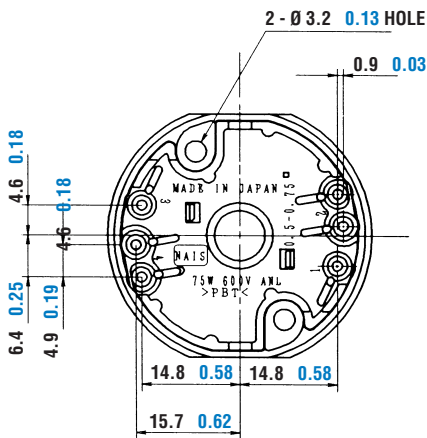
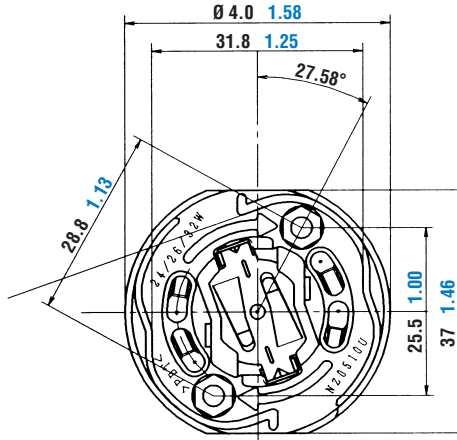
**Model NZ0509U**

for 16 and 18 Watt lamps with Gx24q-2 and Gx24q-2 bases



**Model NZ0510U**

for 24, 26 and 32 Watt lamps with Gx24q-3 and Gx24q-3 bases

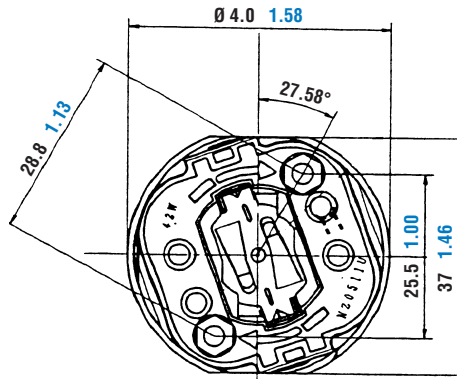


**Model NZ0511U**

for 42 Watt lamps with Gx24q-4 bases

**Model NZ0514U**

for 24, 26, 32, and 42 Watt lamps with G24q-3, Gx24q-3, and Gx24q-4 bases



**NOTE:**  
For additional installation and operational information, please refer to the Application Guidelines.