



## Charge removal when packed into embossed tape

### OUTLINE / PREVIOUS

**Customer:** Electronic packaging equipment manufacturer

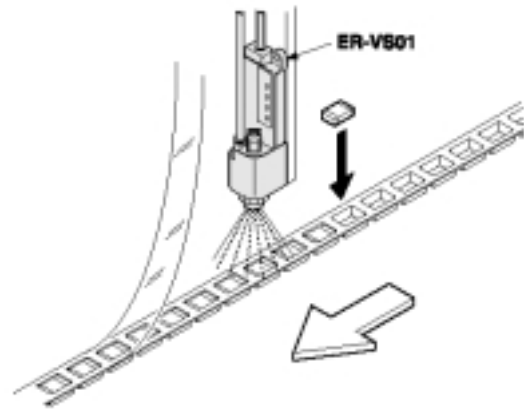
**Machinery:** Electronic packaging equipment

Static charges are removed right before an electronic component (capacitor) is packed into the embossed tape.

### PROBLEM

Compact static remover is required because there is not enough space inside of the equipment.

### SOLUTION



### MODEL / HOW TO

**ER-VS01**

### BENEFIT 1 Compact

**ER-VS01** is designed as compact as W109 x H28 x D27mm in size, so it can be easily combined with other devices and also be installed additionally.

### BENEFIT 2 Discharge indicator incorporated

ON/OFF status of discharge can be visually confirmed with LED indicator. Discharging stopped while power is ON. – such troubles can be prevented from happening.

### BENEFIT 3 No controller needed

